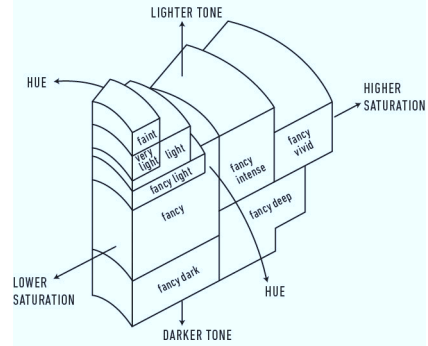


## GIA COLORED DIAMOND REPORT

April 28, 2014  
Report Type ..... Identification and Origin Report  
GIA Report Number ..... 2165089426  
Shape and Cutting Style ..... Cut-Cornered Rectangular  
Modified Brilliant  
Measurements ..... 5.54 x 4.29 x 3.24 mm  
Carat Weight ..... 0.72 carat  
Color Grade ..... Fancy Yellow  
Color Origin ..... Natural  
Color Distribution ..... Even

## ADDITIONAL INFORMATION

GIA COLORED  
DIAMOND  
SCALEIllustration of GIA fancy color  
grade interrelationships

The results documented in this report refer only to the diamond described, and were obtained using the techniques and equipment used by GIA at the time of examination. This report is not a guarantee or valuation. For additional information and important limitations and disclaimers, please see [www.gia.edu/terms](http://www.gia.edu/terms) or call +1 800 421 7250 or +1 760 603 4500.  
©2014 Gemological Institute of America, Inc.

[reportcheck.gia.edu](http://reportcheck.gia.edu)

2



THE SECURITY FEATURES IN THIS DOCUMENT, INCLUDING THE HOLOGRAM, SECURITY SCREEN AND MICROPRINT LINES, IN ADDITION TO THOSE NOT LISTED, EXCEED DOCUMENT SECURITY INDUSTRY GUIDELINES.