

GIA COLORED DIAMOND REPORT

April 09, 2018

 Report Type **Grading Report**

 GIA Report Number **2195242196**

 Shape and Cutting Style **Cut-Cornered Rectangular
Modified Brilliant**

 Measurements **10.36 x 8.99 x 5.98 mm**

 Carat Weight **5.43 carat**

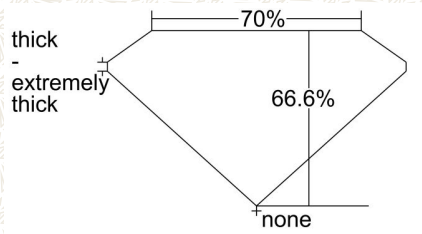
 Color Grade **Fancy Yellow**

 Color Origin **Natural**

 Color Distribution **Even**

 Clarity Grade **VS1**

Proportions:



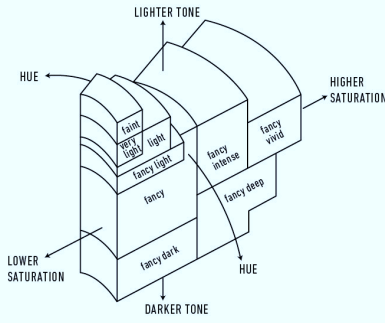
Profile not to actual proportions

 Polish **Good**

 Symmetry **Good**

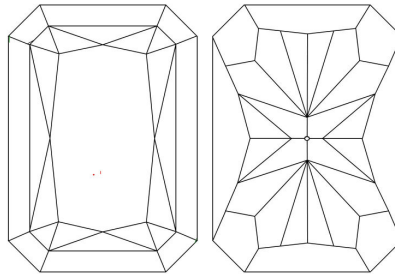
 Fluorescence **None**

Inscription(s): ◆ DTC 23328

ADDITIONAL INFORMATION
**GIA COLORED
DIAMOND
SCALE**

 Illustration of GIA fancy color
grade interrelationships

**GIA
CLARITY
SCALE**

VERY VERY SLIGHTLY INCLUDED	FLAWLESS
	INTERNALLY FLAWLESS
	VVS ₁
	VVS ₂
VERY SLIGHTLY INCLUDED	VS ₁
	VS ₂
SLIGHTLY INCLUDED	SI ₁
	SI ₂
INCLUDED	I ₁
	I ₂
	I ₃

CLARITY CHARACTERISTICS

KEY TO SYMBOLS*

- \ Needle
- Pinpoint
- ^ Natural
- ^ Extra Facet

* Red symbols denote internal characteristics (inclusions). Green or black symbols denote external characteristics (blemishes). Diagram is an approximate representation of the diamond, and symbols shown indicate type, position, and approximate size of clarity characteristics. All clarity characteristics may not be shown. Details of finish are not shown.


reportcheck.gia.edu


The results documented in this report refer only to the diamond described, and were obtained using the techniques and equipment used by GIA at the time of examination. This report is not a guarantee or valuation. For additional information and important limitations and disclaimers, please see www.gia.edu/terms or call +1 800 421 7250 or +1 760 603 4500. ©2014 Gemological Institute of America, Inc.

THE SECURITY FEATURES IN THIS DOCUMENT, INCLUDING THE HOLOGRAM, SECURITY SCREEN AND MICROPRINT LINES, IN ADDITION TO THOSE NOT LISTED, EXCEED DOCUMENT SECURITY INDUSTRY GUIDELINES.