



GIA
GEMOLOGICAL INSTITUTE OF AMERICA®

Facsimile

5355 Armada Drive | Carlsbad, CA 92008-4602
T: 760-603-4500 | F: 760-603-1814

GIA Laboratories
Bangkok Carlsbad Gaborone
Johannesburg Mumbai New York

www.gia.edu

COLORED DIAMOND IDENTIFICATION AND ORIGIN REPORT

March 18, 2013

ONE (1) TRANSPARENT LIGHT YELLOW CUSHION MODIFIED BRILLIANT MEASURING APPROXIMATELY 8.90
X 7.22 X 4.15 MM.

Conclusion:

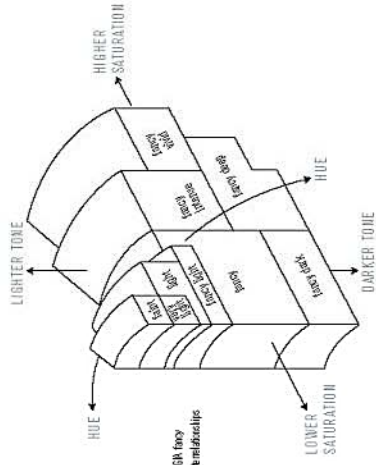
DIAMOND, W TO X RANGE, LIGHT YELLOW, NATURAL COLOR, WEIGHT: 2.05 CARAT

Comments:

None

GIA REPORT 2151292101

GIA
COLORED
DIAMOND
SCALE



This is a digital representation of the original GIA Report. To verify the information herein, please refer to reprints/labels. This Report is not a guarantee, valuation or appraisal and contains only the characteristics of the diamond described herein after it has been graded, tested, examined and analyzed by the laboratory providing this Report ("GIA") and/or has been inscribed using the techniques and equipment used by GIA at the time of the examination and/or inscription. Inscriptions reported in this document are not a guarantee, validation, or warranty of a diamond's quality, country of origin or source, or that the diamond will be identifiable by the inscription in the future (since inscriptions can be removed). GIA makes no representation concerning any trademark, word, or symbol which is inscribed by GIA or which is identified on this Report. The recipient of this Report may wish to consult a credentialed jeweler or gemologist about the information contained herein.

For terms, conditions, and limitations, see www.gia.edu/terms or call 800-421-7250 or 760-603-4500.



210118713707



The security features in this document exceed document security industry guidelines.

©2010 GEMOLOGICAL INSTITUTE OF AMERICA, INC.